

### Desk Frame

#### Solution E

##### The economical desk frame solution

##### Features

- Removable panels for cable access in leg
- Height levelling via adjustable glides
- Hammertone/stipple finish
- Straight or "L" shape desk possibilities



##### Desk leg

Height: 690 mm (without adjustable glide)  
703-715 mm (with adjustable glide)

Finish: Steel, hammertone

Colour	Cat. No.
Silver, powder-coated	630.85.910
Charcoal, powder-coated	630.85.310

Packing: 1 pair (assembled)



##### Cable tray, adjustable

Width: to suit desk width 1200-2000 mm

Finish: Steel

Colour	Cat. No.
Silver, powder-coated	630.87.900
Charcoal, powder-coated	630.87.300

Packing: 1 piece

## Desk Frame

### Solution E

#### Conference table leg

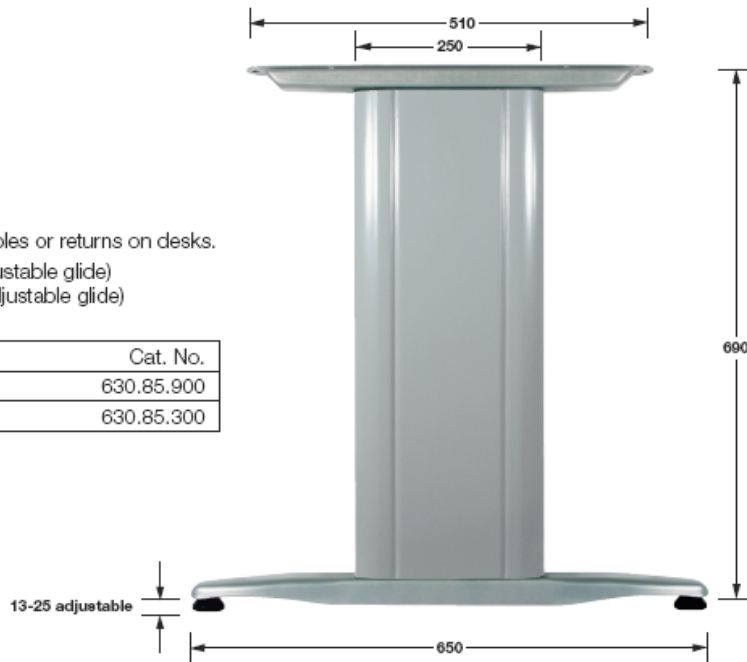
To be used for boardroom tables or returns on desks.

Height: 690 mm (without adjustable glide)  
 703-715 mm (with adjustable glide)

Finish: Steel, hammertone

Colour	Cat. No.
Silver, powder-coated	630.85.900
Charcoal, powder-coated	630.85.300

Packing: 1 pair (assembled)



#### Corner desk leg, 90 degree

To be used with desk legs and cable duct for "L" shape desk configuration.

Height: 695-715 mm (with adjustable glide)

Finish: Steel, hammertone

Colour	Cat. No.
Silver, powder-coated	630.86.900
Charcoal, powder-coated	630.86.300

Packing: 1 piece

