

IMG RELAXER COLLECTION

CROWN GLIDER



BENEFITS

Norwegian quality. All IMG products meet the highest quality standards. The reclining mechanism with integrated footrest is made by the largest specialized mechanism supplier in the world. The construction is based on a hard wood and steel frame with IMG's unique molded foam.

Many unique comfort functions. The IMG Relaxers offers five different built-in functions:

- Swivel
- Effortless reclining and adjustable back rest angle
- Foldable footrest
- Glider / rocker function
- Adjustable head and neck support

Cold-Cure Molded foam. This space-age material encases the interior steel frame and sinuous springs, allowing for body-friendly curvatures to be covered with glove-fitted upholstery. Guarantees absolute comfort and durability.

Luxurious feel and touch. A layer of soft high resilience polyurethane foam with fibers ensures a luxurious feeling and extra softness.

2 distinct sizes available – with the same design. All IMG relaxers are available in two different sizes to assure a perfect fit for your comfort requirements.

Adjustable head and neck support. Exclusive adjustment system that allows your head and neck to rest in an infinite number of comfort positions. It can easily be adjusted by a handgrip.

Warranty. Ten years on frame. Five years on mechanisms, molded foam cushions and base. Two years on leather and fabric covers.

FUNCTIONS



360° Swivel



Glider/Rocker



Integrated footstool



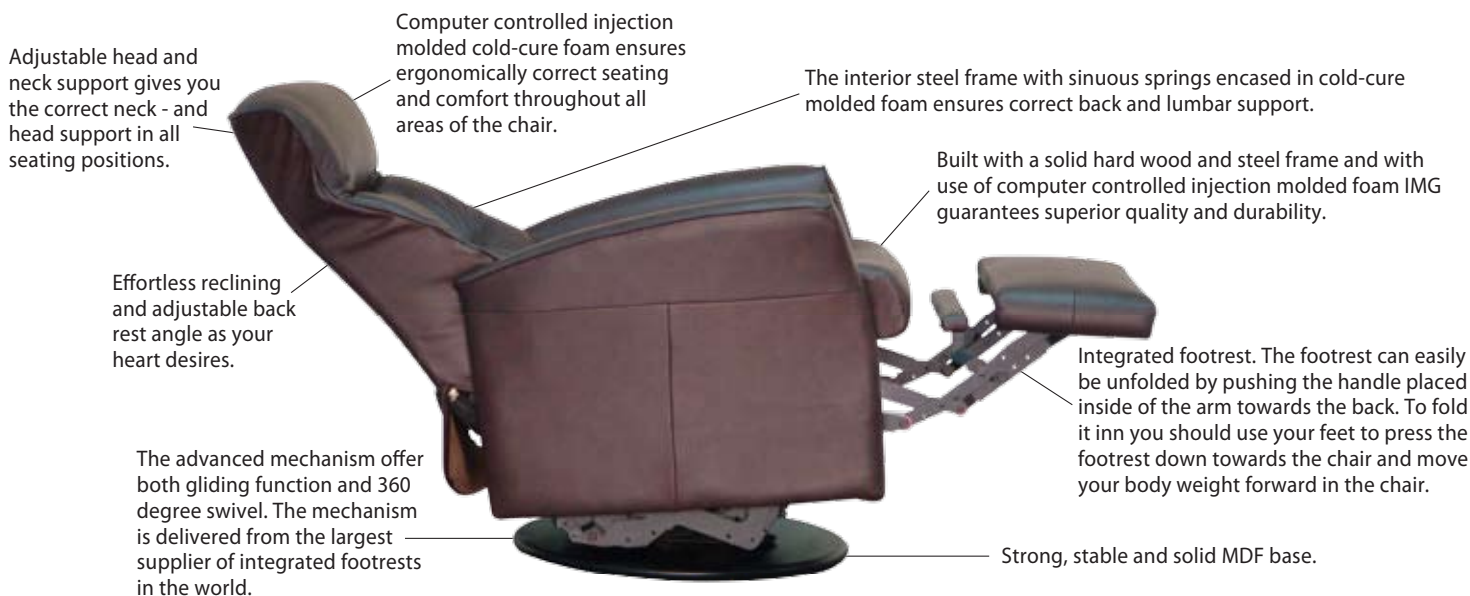
Effortless reclining



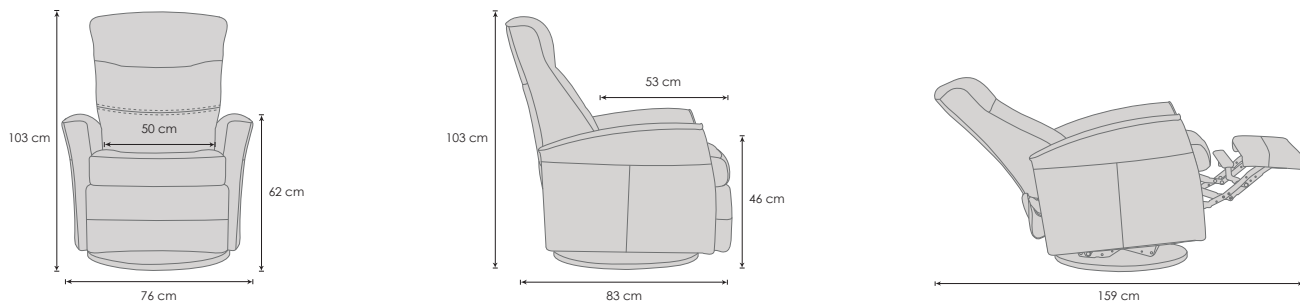
Adjustable head- and neck support



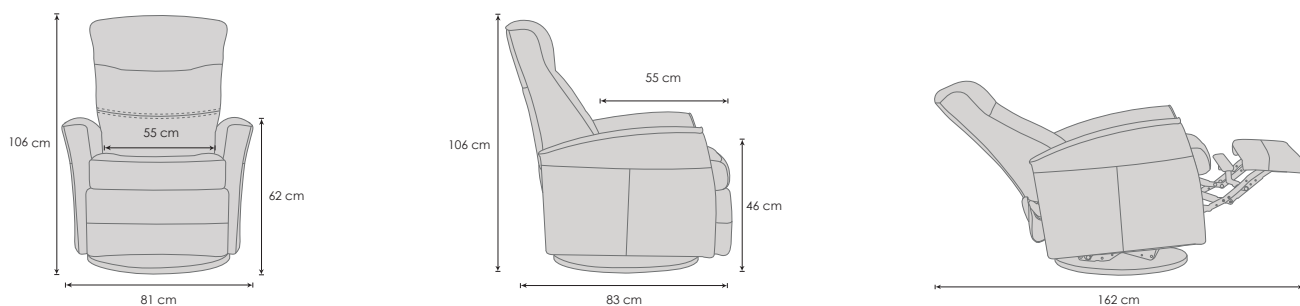
TAKING COMFORT TO A NEW LEVEL



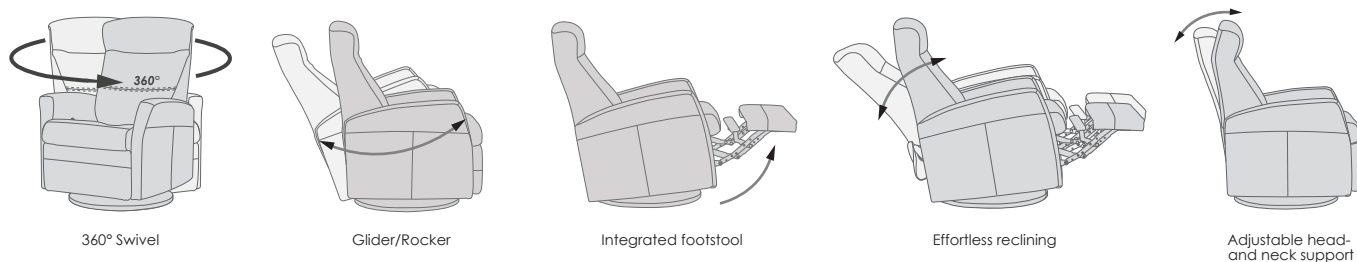
DIMENSIONS RG220 CROWN STANDARD



DIMENSIONS RG320 CROWN LARGE



FUNCTIONS



INTERNATIONAL MÖBEL GROUP

www.imgcomfort.com • office@imgcomfort.com

Copyright © 2007 International Möbel Group